


**R580C**

**R585C**

### Description

Giacomini has introduced the R585C (with shut-off valve) and R580C (no shut-off valve) series of modular manifolds, in response to the growing demand for products for the distribution of domestic water which offer ease of installation, operational reliability and more generally, excellent attention to detail, contributing to an increased level of quality perceived by the users.

### Versions and product codes

Series	Product code	Size	Adaptor seat Ø [mm]	No. of outlets
R580C	R580CY062	3/4"MF x 1/2" (ISO 228)	16	2
	R580CY063			3
	R580CY064			4
	R580CY052	1"MF x 3/4"E (ISO 228)		2
	R580CY053			3
	R580CY054			4
R585C	R585CY062	3/4"MF x 1/2" (ISO 228)	16	2
	R585CY063			3
	R585CY064			4

### Completion codes

#### • Adaptors for 3/4"MF x 1/2" manifolds (adapter seat Ø 16 mm)

##### - For synthetic or multilayer pipes:

R179EY052: 1/2" x (16 x 1,8)  
 R179EY055: 1/2" x (16 x 2)  
 R179EY056: 1/2" x (16 x 2,2)  
 R179EY058: 1/2" x (16,2 x 2,6)  
 RM179Y113: 1/2" x (16 x 2)  
 RM179Y116: 1/2" x (20 x 2)

##### - For copper pipes:

R178EY121: 1/2" x 10  
 R178EY122: 1/2" x 12  
 R178EY123: 1/2" x 14  
 R178EY124: 1/2" x 15  
 R178EY125: 1/2" x 16

#### • Adaptors for 1"MF x 3/4"E manifolds

##### - For synthetic or multilayer pipes:

R179EX021: 3/4"E x (12 x 1,5)  
 R179EX023: 3/4"E x (14 x 2)  
 R179EX022: 3/4"E x (16 x 1,5)  
 R179EY028: 3/4"E x (16 x 1,8)  
 R179EX024: 3/4"E x (16 x 2)  
 R179EX025: 3/4"E x (17 x 2)  
 R179EX026: 3/4"E x (18 x 2)  
 R179EX027: 3/4"E x (20 x 2)  
 RM179X103: 3/4"E x (16 x 2)  
 RM179X106: 3/4"E x (20 x 2)

##### - For copper pipes:

R178EX112: 3/4"E x 12  
 R178EX113: 3/4"E x 14  
 R178EX104: 3/4"E x 15  
 R178EX115: 3/4"E x 16  
 R178EX116: 3/4"E x 18

#### • Plastic cabinet R599

R599Y001: 400 x 300 x 90 mm

#### • R598K support kit for R599 cabinet

R598KY001: 3/4"  
 R598KY002: 1"

#### • Plastic cabinet R595

R595AY001: 370 x 300 x 90 mm  
 R595BY001: 520 x 300 x 90 mm  
 R595CY001: 670 x 300 x 90 mm

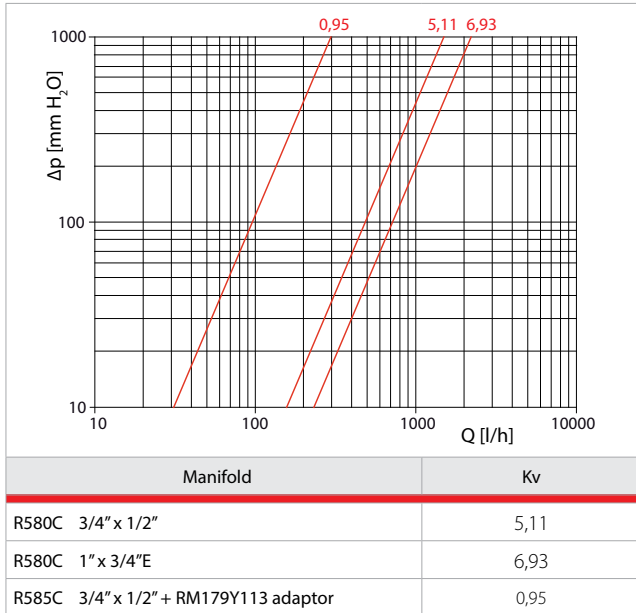
#### • R598 support kit for R595 cabinet

R598Y007: 3/4"

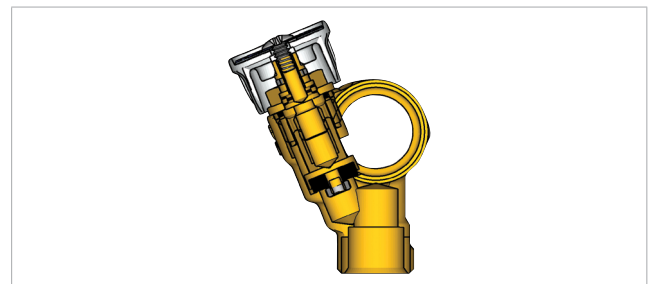
**Technical data**

- Temperature range: 5÷100 °C
- Max. working pressure: 10 bar
- Outlets centre distance for 3/4"MF x 1/2" manifolds: 35 mm
- Outlets centre distance for 1"MF x 3/4"E manifolds: 40 mm

**Losses of pressure**



**Main features**



The manifolds are produced using a moulded body, which gives them a combination of extreme solidity and reduced roughness, obtained by machining to remove burrs on all interior surfaces. When looking at a cross-section of the R585C manifold, it is evident that the connecting sections have been designed to obtain the widest passage possible.

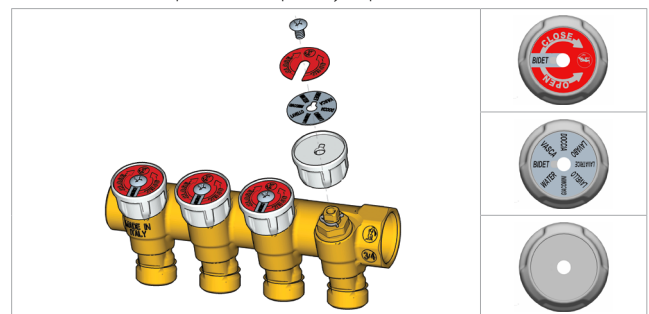
In addition, the reliability of the shutter closure is guaranteed by the presence of an EPDM gasket for the front seal.

The shut-off valve is made in two pieces, so the bulk of the manifold is independent of the shutter position and does not obstruct it; this feature ensures that under normal operating conditions (i.e. with the shut-off valves fully or partially open) the handwheels do not prevent the containment cabinet door from closing properly.

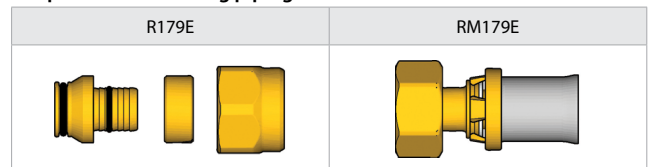
On modular manifolds R585C and R580C, no surface finishing treatment is used, with a view to minimizing the amount of impurities in the alloy, thus complying with the requirements set out by the European Directive EC 98/83, adopted in Italy with the Ministry of Health Decree of April 6 2004, no. 174 - "Regulation on the materials and articles which can be used in fixed systems for the collection, treatment, supply and distribution of water intended for human consumption", as published in O.J. no. 166 on 17 July 2004, and which entered into force on 17 July 2007.

The handwheels, connected to the shut-off valve with a screw, feature two plates: one of these plates indicates the corresponding user; the other plate is superimposed over the previous one, and is blue on one side and red on the other, so that users can immediately see whether the manifold is circulating hot water or cold water.

This also allows to optimise the quantity of products in the warehouse.



**Adaptors for connecting piping to the manifold outlets**



**Note.**  
With manifolds: R580CY062, R580CY063, R580CY064, R585CY062, R585CY063, R585CY064 (adaptor seat  $\varnothing$  16 mm) **only adaptors** R179EY052, R179EY055, R179EY056, R179EY058, RM179Y113, RM179Y116, R178EY121, R178EY122, R178EY123, R178EY124, R178EY125 can be used.

With manifolds: R580CY052, R580CY053, R580CY054 **only adaptors** R179EX021, R179EX022, R179EX023, R179EX024, R179EX025, R179EX026, R179EX027, R179EY028, RM179X103, RM179X106, R178EX112, R178EX113, R178EX104, R178EX115, R178EX116 can be used.

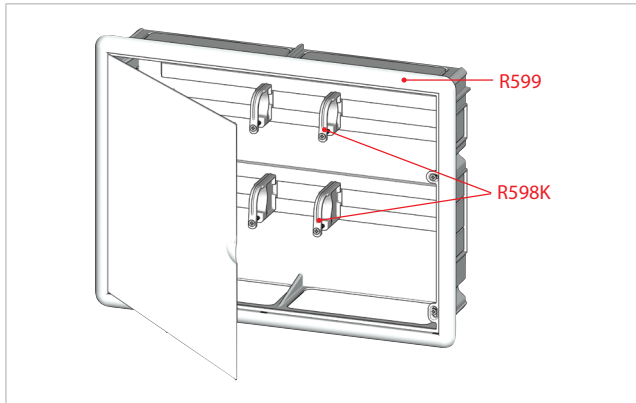


**Installation**

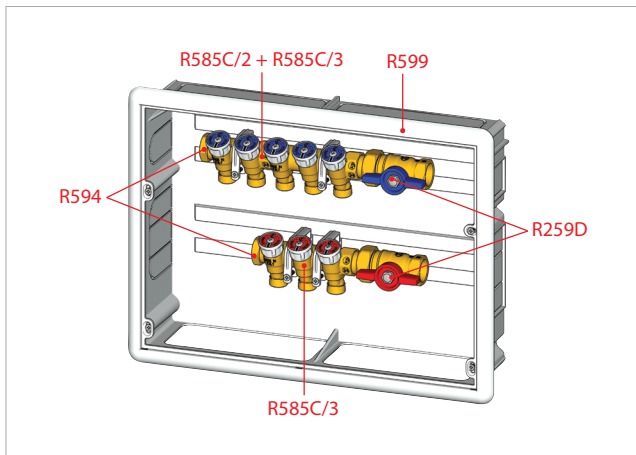
**R599 cabinet installation**

The assembly of the manifolds inside the R599 cabinet using the appropriate R598K sliding supports is carried out using horizontal guide rails, and therefore without constraints on positioning.

In addition, by taking advantage of the large openings in the lower part of the cabinet, users can easily install manifolds with different centre distances. The cabinet door can be opened without the need of special tools, with a view to enabling rapid intervention to be carried out on the shut-off valves, whilst closure is maintained by the solid joints attached to the surface of the frame.



**Example**



In the example, R585C manifolds with R594 terminal plugs and R259D ball valves are illustrated, mounted inside cabinet R599.

For cold domestic water, 2 R585C manifolds were used (one manifold with 2 units and one with 3 units) assembled in series one beside the other, in order to obtain 5 units overall for cold domestic water uses.

For hot domestic water uses, on the other hand, a single 3 unit manifold was used.

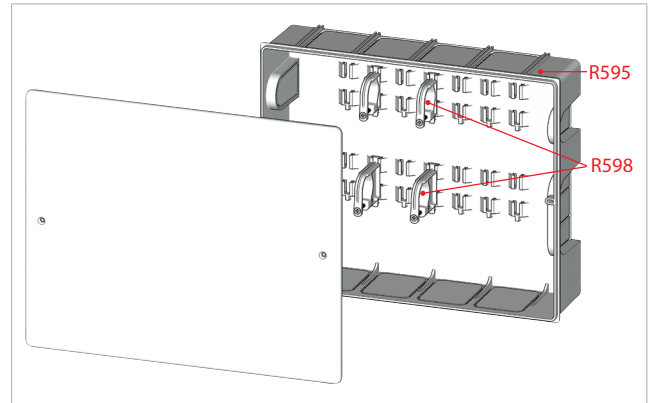
**R595 cabinet installation**



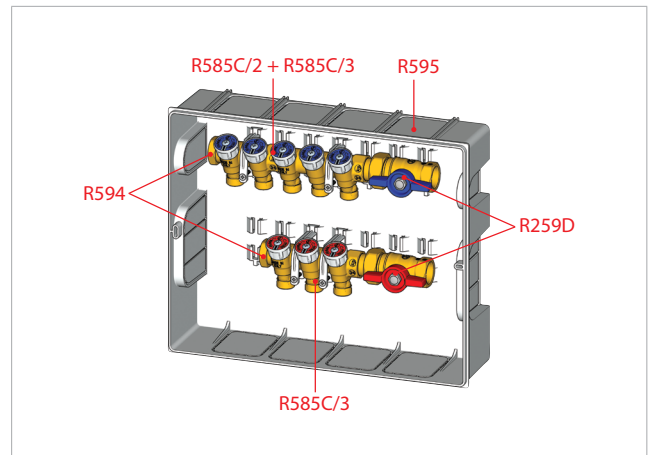
**Warning.**

*In the R595 cabinets can be fitted only the manifolds of 3/4" size and centre distance of 35 mm.*

The manifolds (3/4", centre distance 35 mm) can also be assembled in R595 cabinets, using the R598 supports. In this case, the supports are attached to the fixed guides in the cabinet, for this reason only manifolds with a centre distance of 35 mm can be fitted into these cabinets. The opening and closure of the door is performed by loosening and tightening the screws provided with the cabinet.



**Example**



The example illustrates the R585C manifolds with R594 terminal plugs and R259D ball valves, mounted inside cabinet R595.

For cold domestic water, 2 R585C manifolds were used (one manifold with 2 units and one with 3 units) assembled in series one beside the other, in order to obtain 5 units overall for cold domestic water uses.

For hot domestic water uses, on the other hand, a single 3 unit manifold was used.

**Dimensions**

**R580C**

Product code	Size A x B	C	Ø [mm]	D [mm]	E [mm]	F [mm]	G [mm]	I [mm]	K [mm]	L [mm]
R580CY032	3/4" M x 3/4" F	1/2"	15	23,5	23,5	28,5	45	35	31	82
R580CY033										117
R580CY034										152
R580CY062		1/2"	16	23,5	23,5	28,5	45	35	31	82
R580CY063										117
R580CY064										152
R580CY052	1" M x 1" F	3/4" E	18	26	26	33	53	40	38	92
R580CY053										132
R580CY054										172

**R585C**

Product code	Size A x B	C	Ø [mm]	D [mm]	E [mm]	F [mm]	G [mm]	I [mm]	K [mm]	L [mm]
R585CY032	3/4" M x 3/4" F	1/2"	15	23,5	23,5	28,5	69	35	31	82
R585CY033										117
R585CY034										152
R585CY062		1/2"	16	23,5	23,5	28,5	69	35	31	82
R585CY063										117
R585CY064										152

**R599**

Product code	A [mm]	B [mm]	C [mm]	D [mm]
R599Y001	417	304	110	90

**R595**

Product code	A [mm]	B [mm]	C [mm]	D [mm]
R595AY001	370	300	110	90
R595BY001	520	300	110	90
R595CY001	670	300	110	90

**Product specifications**

**R580C - outlets 1/2" or 3/4"E**

Simple modular manifold in brass. Available with 3/4"MF connection + 1/2" outlets with 35 mm of centre distance or 1"MF connection + 3/4"E outlets with 40 mm of centre distance. With connections for adaptors for copper, plastic or multilayer pipe. Temperature range 5÷110 °C. Max. working pressure 10 bar.

**R585C - outlets 1/2"**

Simple modular manifold for domestic installations, with shut-off valves, in brass. Available with 3/4"MF connection + 1/2" outlets with 35 mm of centre distance. With connections for adaptors for copper, plastic or multilayer pipe. Temperature range 5÷100 °C. Max. working pressure 10 bar.

**R599**

Plastic cabinet with door and frame. Door closure with bayonet connection without screw fixture. For manifolds R580C, R585C.

**R598K**

Plastic supports for manifolds R580C, R585C. For use with cabinet R599.

**R595**

Plastic cabinet with door. Door closure with fixing screws. For R580C, R585C manifolds with centre distance of 35 mm.

**R598**

Plastic supports for manifolds R580C, R585C. For use with cabinet R595.

**Additional information**

For more information, go to [www.giacomini.com](http://www.giacomini.com) or contact our technical assistance service: ☎ +39 0322 923372 📠 +39 0322 923255 ✉ [consulenza.prodotti@giacomini.com](mailto:consulenza.prodotti@giacomini.com)  
 This document provides only general indications. Giacomini S.p.A. may change at any time, without notice and for technical or commercial reasons, the items included herewith.  
 The information included in this technical sheet do not exempt the user from strictly complying with the rules and good practice standards in force.  
 Giacomini S.p.A. Via per Alzo, 39 - 28017 San Maurizio d'Opaglio (NO) Italy



**R580C**

**R585C**

**Description**

The R585C (with shut-off valve) and R580C (without shut-off valve) modular manifolds by Giacomini satisfy the growing demand for products for the distribution of sanitary water which offer ease of installation, operational reliability and more generally, excellent attention to detail, contributing to an increased level of quality perceived by the users.

**Versions and product codes**

Series	Product code	Dimension	N. of outputs
R580C	R580CY022	3/4"MF (ISO 228) x base 16	2
	R580CY023		3
	R580CY024		4
	R580CY042	1"MF (ISO 228) x base 16	2
	R580CY043		3
	R580CY044		4
R585C	R585CY022	3/4"MF (ISO 228) x base 16	2
	R585CY023		3
	R585CY024		4
	R585CY042	1"MF (ISO 228) x base 16	2
	R585CY043		3
	R585CY044		4

**Completion codes**

**- Adaptors for manifolds with base 16 outputs**

- For plastic or multilayer pipes:

- R179MX012: 16 x (14 x 2)
- R179MX014: 16 x (16 x 2)
- R179MX013: 16 x (16 x 2,2)
- R179MX016: 16 x (16,2 x 2,6)
- R179MX019: 16 x (17 x 2)
- R179MX015: 16 x (18 x 2)
- R179MX020: 16 x (20 x 2)
- R179MX036: 16 x (20 x 2,25)
- R179MX021: 16 x (20 x 2,5)
- R179MX037: 16 x (20 x 2,9)

- For plastic pipes:

- R179X034: 16 x (15 x 2)
- R179X041: 16 x (16 x 1,5)
- R179X046: 16 x (18 x 2,5)

- For copper pipes:

- R178X012: 16 x 10
- R178X013: 16 x 12
- R178X015: 16 x 14
- R178X016: 16 x 15
- R178X018: 16 x 16

**- R599 plastic cabinet**

R599Y001: 400 x 300 x 90 mm

**- R598K support kit for R599 plastic cabinets**

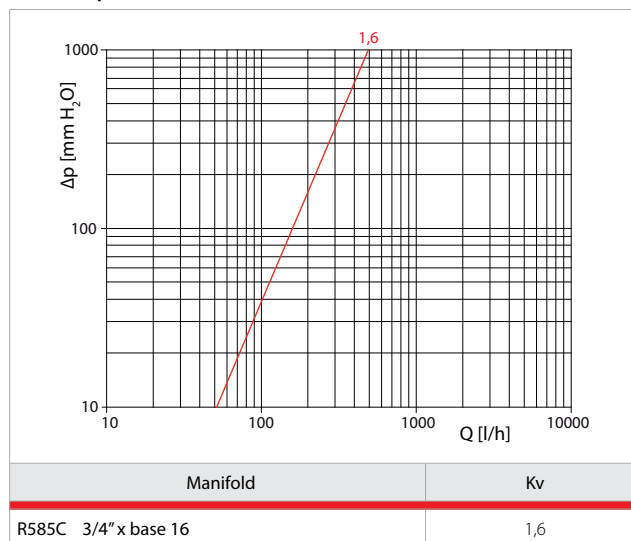
R598KY001: 3/4"

R598KY002: 1"

**Technical data**

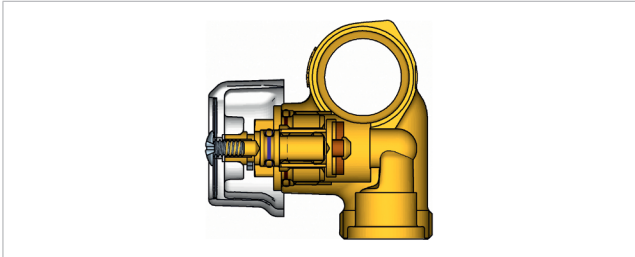
- Temperature range: 5÷100 °C
- Max. working pressure: 10 bar
- R580C manifold outputs center distance: 35 mm
- R585C manifold outputs center distance: 50 mm

**Losses of pressure**





**Main features**



These manifolds are manufactured by using a mold, removing the burrs from all internal surfaces and thus conferring extreme solidity and reduced roughness to the product. The R585C manifold cross-section shows how the connections have been designed so as to offer the widest passage possible. In addition, the stopper seal is guaranteed by an EPDM front gasket.

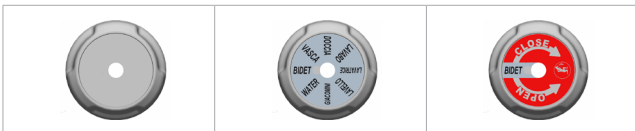
The shut-off valve is made by two pieces so the space occupied by the manifold is not affected by the position of the stopper; this prevents the handwheels from obstructing the cabinet door during ordinary operation, that is with the shut-off valves completely or partially open.

R585C and R580C modular manifolds are not treated for surface finish so as to reduce to the minimum the presence of alloy impurities, thus complying with the provisions set forth by the CE 98/83 European Directive, transposed in Italy with Decree of April 6 2004, n. 174 - Ministry of Health - "Regulation concerning materials and items used in fixed systems for catchment, treatment, adduction and distribution of human consumption water", published on Official Gazette n. 166 of July 17 2004 and enforced on July 17 2007.

The handwheels connected to the shut-off valve by a screw are equipped with two plates:

- one showing the corresponding supplied system;
- the other, red on one end and blue on the other, overlaps the first one and promptly displays whether hot or cold sanitary water is flowing inside the manifold.

This also allows to optimise the quantity of products in the warehouse.

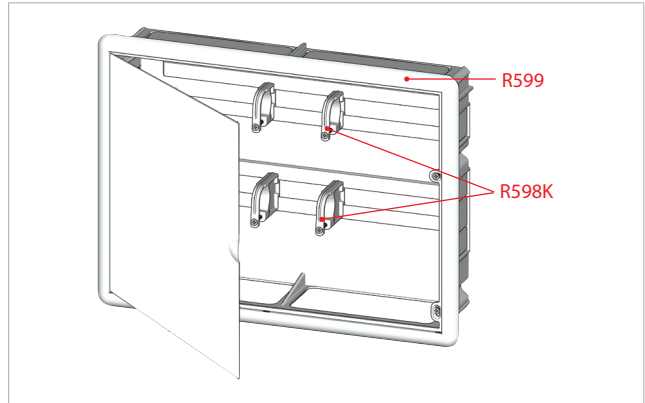


**Installation**

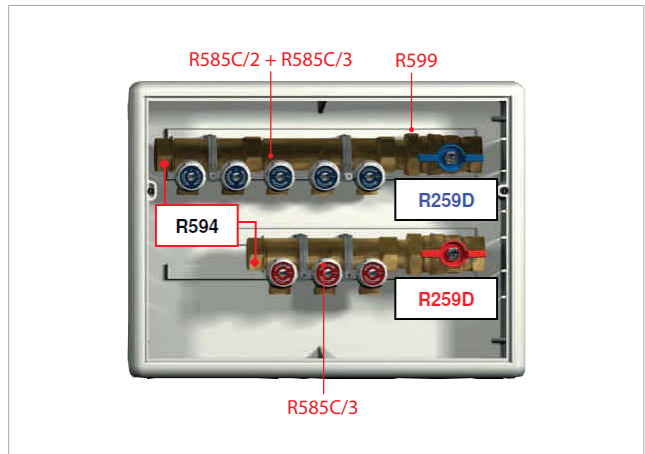
**R599 cabinet installation**

Manifolds are installed in the R599 cabinet on horizontal rails using the special R598K sliding supports, offering total freedom of positioning.

In addition, the large slots on the bottom of the cabinet enable to easily install manifolds with different center distances. No tool is required to open the door to quickly activate the shut-off valves and it can be securely closed fitting it in the grooves on the frame surface.



**Example**



The example shows the R585C manifolds with R594 end caps and R259D ball valves installed in the R599 cabinet.

This installation uses n. 2 R585C manifolds (one 2-outputs manifold + one 3-outputs manifold) assembled one next to the other for a total of 5 outputs for systems requiring cold sanitary water.

For systems requiring hot sanitary water, only one 3-outputs manifold has been used.



**Dimensions**

**R580C**

Product code	Dim. A x B	C	D [mm]	E [mm]	F [mm]	G [mm]	I [mm]	K [mm]	L [mm]
R580CY022	3/4" M x 3/4" F	16	32	30	28	46	35	31	97
R580CY023									132
R580CY024									167
R580CY042	1" M x 1" F	16	32	30	33	55	35	39	97
R580CY043									132
R580CY044									167

**R585C**

Product code	Dim. A x B	C	D [mm]	E [mm]	F [mm]	G [mm]	I [mm]	K [mm]	L [mm]
R585CY022	3/4" M x 3/4" F	16	32	30	42	58	50	31	112
R585CY023									162
R585CY024									212
R585CY042	1" M x 1" F	16	32	30	45	65	50	39	112
R585CY043									162
R585CY044									212

**R599**

Product code	A [mm]	B [mm]	C [mm]	D [mm]
R599Y001	417	304	110	90

**Product specifications**

**R580C - base 16 outputs**

Brass basic modular manifold. Available with 3/4" MF or 1" MF connection. Base 16 outputs, 35 mm center distance, for copper, plastic or multilayer pipe adaptors. Temperature range 5÷110 °C. Max. working pressure 10 bar.

**R585C - base 16 outputs**

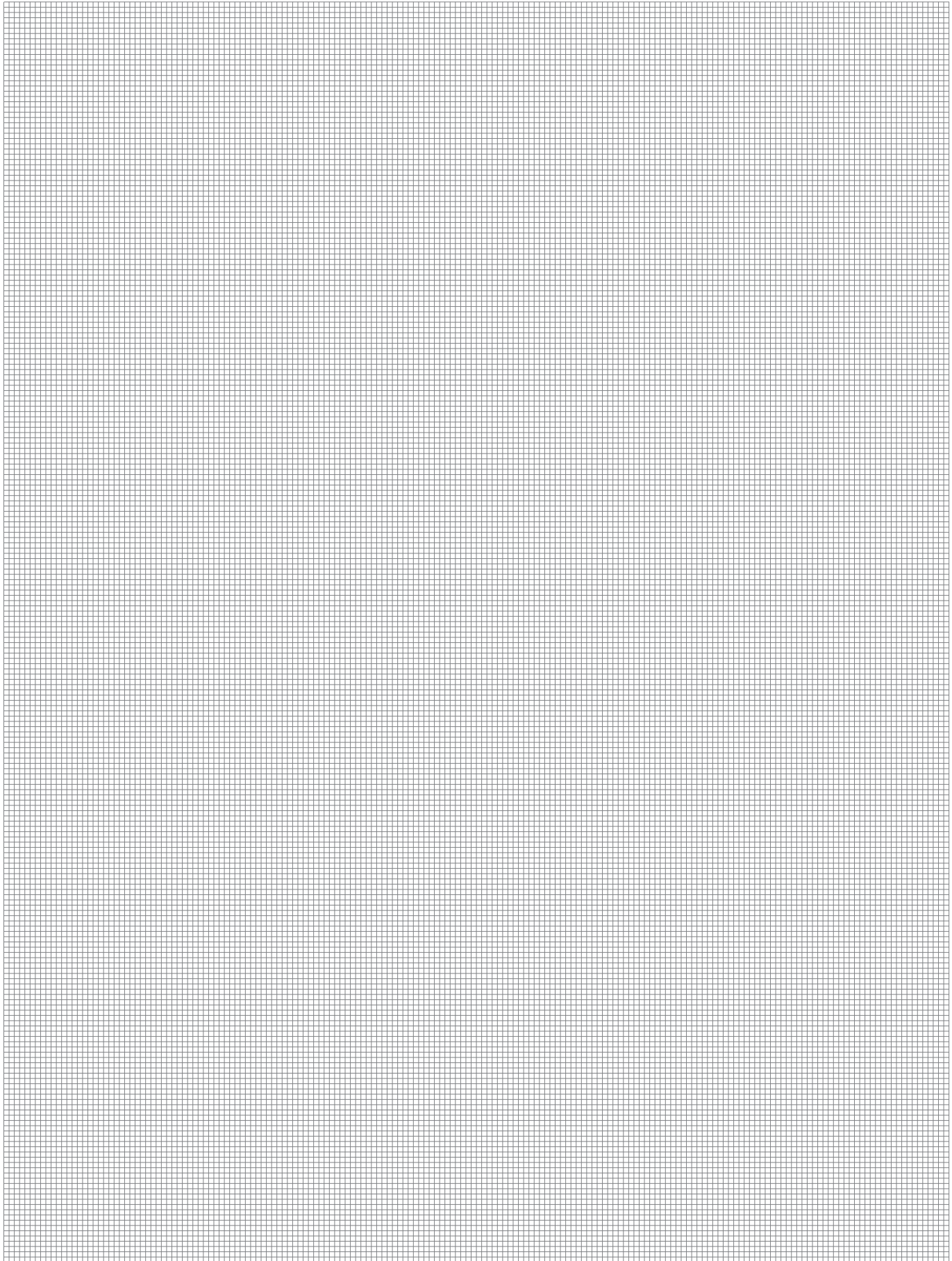
Brass basic modular manifold for sanitary water systems with shut-off valves. Available with 3/4" MF or 1" MF connection. Base 16 outputs, center distance 50 mm, for copper, plastic or multilayer pipe adaptors. Temperature range 5÷110 °C. Max. working pressure 10 bar.

**R599**

Plastic cabinet with door and frame. Door closure with bayonet connection without screw fixture. For manifolds R580C, R585C.

**R598K**

Plastic supports for manifolds R580C, R585C. For use with cabinet R599.



**Additional information**

For additional information please check the website [www.giacomini.com](http://www.giacomini.com) or contact the technical service: ☎ +39 0322 923372 📠 +39 0322 923255 ✉ [consulenza.prodotti@giacomini.com](mailto:consulenza.prodotti@giacomini.com)  
This pamphlet is merely for information purposes. Giacomini S.p.A. retains the right to make modifications for technical or commercial reasons, without prior notice, to the items described in this pamphlet. The information described in this technical pamphlet does not exempt the user from following carefully the existing regulations and norms on good workmanship.  
Giacomini S.p.A. Via per Alzo, 39 - 28017 San Maurizio d'Opaglio (NO) Italy