

R269T



Energy
Management



Radiant
Systems

Multifunction valves for distribution manifolds

Datasheet
0501EN 01/2020



Pair of multifunction valves (delivery and return) for distribution manifolds.

Possibility of reversible installation at the inlet of the manifold, with fluid supply both from the left and from the right.

Installed upstream of the distribution manifold bars they integrate the following functions:

- shut-off ball valve;
- automatic air vent valve;
- drain cock;
- contact thermometer;
- inlet for immersion temperature probe \varnothing 6 mm.



VIDEO

Frame the QR code with your smartphone or tablet to view the video tutorial.

Versions and product codes

PRODUCT CODE	MAIN CONNECTIONS	END PLUGS	CONNECTION FOR AIR VENT VALVE AND DRAIN COCK
R269TY035	G 1"F x G 1"M	G 1"M	G 1/2"F
R269TY036	G 1-1/4"F x G 1-1/4"M	G 1-1/4"M	G 1/2"F
R269TY135	1"NPT-F x G 1"M	-	G 1/2"F
R269TY136	1-1/4"NPT-F x G 1-1/4"M	-	G 1/2"F

NOTE. The codes consist of 2 valves (one with a red handle and one with a blue handle).

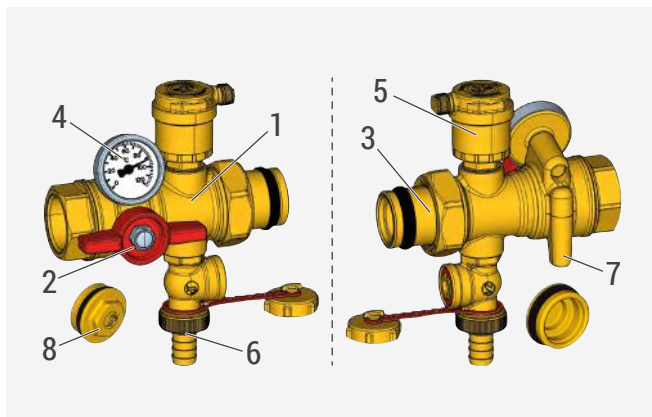
Technical data

- Fluids: water, glycol solutions (max. 50 % of glycol)
- Temperature range: 5+110 °C
- Max. working pressure: 10 bar
- Max. working pressure of air vent valve: 7 bar
- Probe holder connections: Ø 6 mm
- Contact thermometers: dial Ø 40 mm, scale 0+120 °C
- Air vent valves with self-sailing and shut-off cock, connection G 1/2" M
- Drain cock with self-sealing and hose connection, connection G 1/2" M
- End plugs with self-sealing, connection G 1" M or G 1-1/4" M

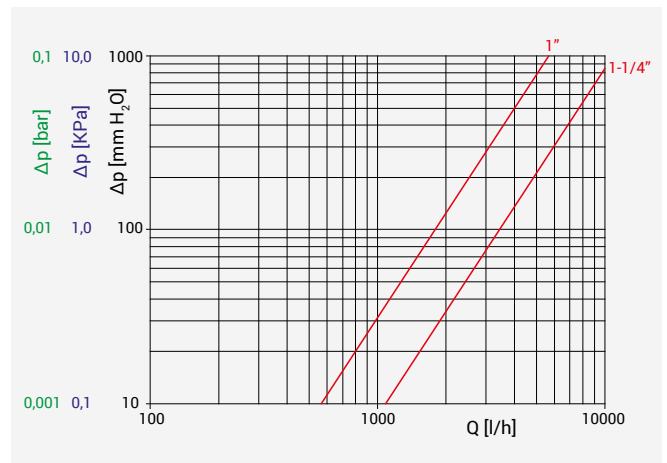
Materials

- Main components: brass UNI EN 12165 CW617N
- Self-align for tail piece, air vent valve, drain cock and plug: EPDM
- Air vent valve spring: stainless steel: stainless steel
- Air vent valve internal float: PP-H

Components



Hydraulic characteristics



Valve size	1"	1-1/4"
Kv	18	35

NOTE. Loss of pressure for single valve.

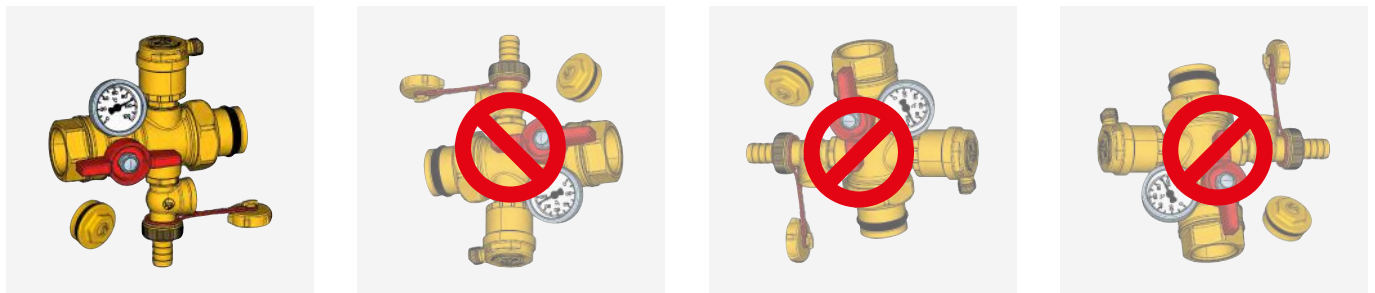
- 1 Main body
- 2 Shut-off ball valve
- 3 Flat seat tail piece with self-sealing
- 4 Contact thermometer R540
- 5 Automatic air vent valve with shut-off cock and self-sealing R88I
- 6 Drain cock with self-sealing R608
- 7 Inlet for immersion temperature probe Ø 6 mm
- 8 Terminal plug for manifolds with self-sealing R592D

Installation

WARNING The installation must be carried out by qualified personnel, following the instructions provided in the package.

Allowed installation positions

The automatic air vent valves must be installed in a vertical position, with the cap facing upwards. Installation in places that are easy to inspect is recommended.

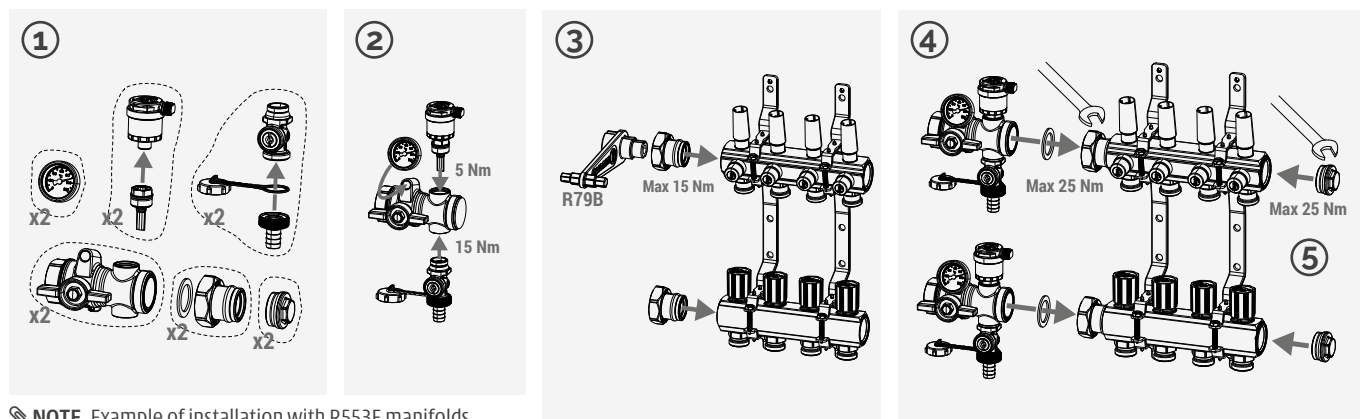


WARNING. Close the cap of the air vent valve during the washing and filling operations of the system, to prevent impurities from entering the valve mechanisms, damaging it.

The R26gT valves are supplied with disassembled components and can be easily mounted with fluid supply both from the left and from the right using the self-sealing of the components.

Fluid supply from the left

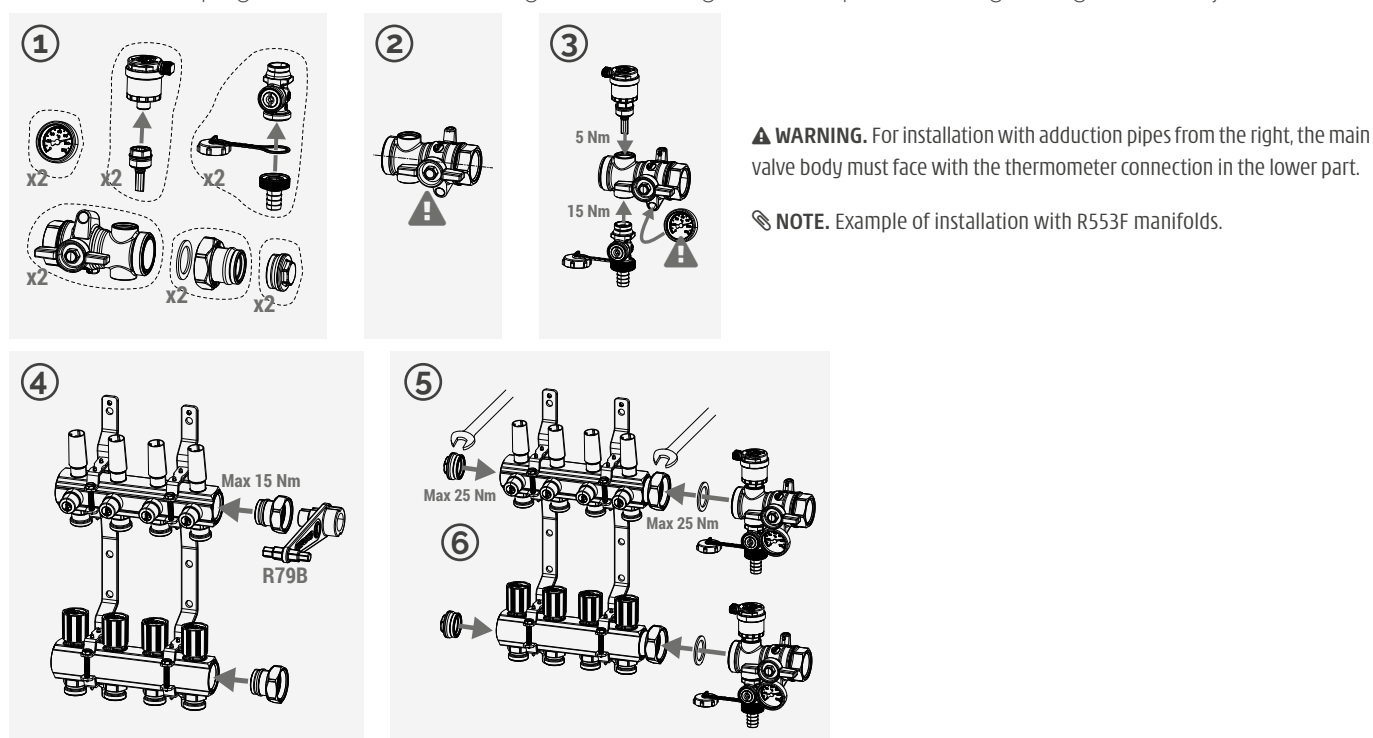
- 1) manually assemble the air vent valve and the drain cock using the self-sealing of the components;
- 2) manually install the air vent valve, the drain cock and the thermometer on the main body using the self-sealing of the components;
- 3) install the flat seat tail piece on the manifold bar using the self-sealing of the component and a R79B key;
- 4) connect the R26gT valve to the manifold by inserting the gasket and tightening the flat seat tail piece nut;
- 5) install the end plug on the manifold bar using the self-sealing of the component and tightening it with a key.



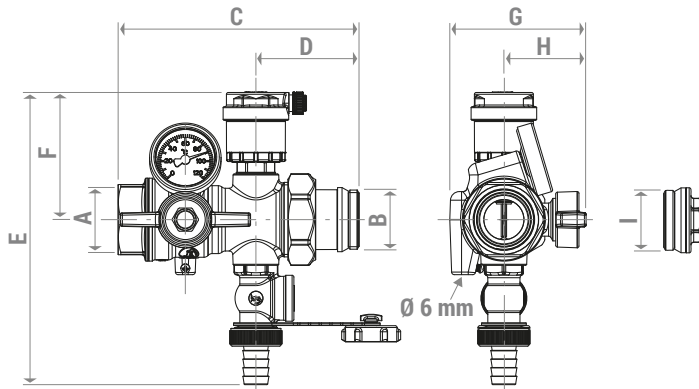
NOTE. Example of installation with R553F manifolds.

Fluid supply from the right

- 1) manually assemble the air vent valve and the drain cock using the self-sealing of the components;
- 2) for installation with adduction pipes from the right, the thermometer connection on the main valve body must face in the lower part;
- 3) manually install the air vent valve, the drain cock and the thermometer on the main body using the self-sealing of the components;
- 4) install the flat seat tail piece on the manifold bar using the self-sealing of the component and a R79B key;
- 5) connect the R26gT valve to the manifold by inserting the gasket and tightening the flat seat tail piece nut;
- 6) install the end plug on the manifold bar using the self-sealing of the component and tightening it with a key.



➤ Dimensions



PRODUCT CODE	CONNECTIONS A x B	C [mm]	D [mm]	E [mm]	F [mm]	G [mm]	H [mm]	CONNECTION I
R269TY035	G 1" F x G 1" M	135	58	165	71	76	46	G 1" M
R269TY036	G 1-1/4" F x G 1-1/4" M	144	64	170	75	85	50	G 1-1/4" M
R269TY135	1" NPT-F x G 1" M	135	58	165	71	76	46	-
R269TY136	1-1/4" NPT-F x G 1-1/4" M	144	64	170	75	85	50	-

➤ Product specifications

R269T

Pair of multifunction valves (delivery and return) for distribution manifolds. Female-male threaded connections. Possibility of reversible installation at the inlet of the manifold, with fluid supply both from the left and from the right. Valves equipped with: delivery Shut-off ball valves (red T-handle) and return (blue T-handle); flat seat tail piece with EPDM self-sealing; immersion temperature probe connections Ø 6 mm; contact thermometers with dial Ø 40 mm and scale 0÷120 °C; automatic air vent valve with EPDM self-sealing; drain cocks with EPDM self-sealing; end plugs for manifolds with EPDM self-sealing. Temperature range 5÷110 °C. Max. working pressure 10 bar. Max. working pressure of air vent valve 7 bar.

⚠ Safety Warning. Installation, commissioning and periodical maintenance of the product must be carried out by qualified operators in compliance with national regulations and/or local standards. A qualified installer must take all required measures, including use of Individual Protection Devices, for his and others' safety. An improper installation may damage people, animals or objects towards which Giacomini S.p.A. may not be held liable.

♻ Package Disposal. Carton boxes: paper recycling. Plastic bags and bubble wrap: plastic recycling.

ℹ Additional information. For more information, go to giacomini.com or contact our technical assistance service. This document provides only general indications. Giacomini S.p.A. may change at any time, without notice and for technical or commercial reasons, the items included herewith. The information included in this technical sheet do not exempt the user from strictly complying with the rules and good practice standards in force.

♻ Product Disposal. Do not dispose of product as municipal waste at the end of its life cycle. Dispose of product at a special recycling platform managed by local authorities or at retailers providing this type of service.